

APPENDIX K - AIMA

AGRICULTURAL IMPACT MITIGATION AGREEMENT
between
PANTHER GROVE 2 LLC
and the
ILLINOIS DEPARTMENT OF AGRICULTURE
Pertaining to the Construction of a Commercial Wind Energy Facility
in
Livingston County, Illinois

The following standards and policies are required by the Illinois Department of Agriculture (IDOA) to help preserve the integrity of any agricultural land that is impacted by the Construction and Deconstruction of a wind energy facility in accordance with the Renewable Energy Facilities Agricultural Impact Mitigation Act (Act), Public Act 100-0598. They were developed with the cooperation of agricultural agencies, organizations, Landowners, Tenants, drainage contractors, and wind energy companies to comprise this Agricultural Impact Mitigation Agreement (AIMA). This AIMA is made and entered into between the Commercial Wind Energy Facility Owner and the IDOA.

Panther Grove 2 LLC, a Delaware limited liability company authorized to transact business in Illinois, hereafter referred to as "Commercial Wind Energy Facility Owner or Facility Owner", plans to develop an approximately 450 MW Commercial Wind Energy Facility or "Facility" in Livingston County, which will consist of approximately 100 turbines, access roads, an underground collection line, a switchyard, a substation, and an operation and maintenance building site.

If construction does not commence within four years after this AIMA has been fully executed, this AIMA will be revised, with the Facility Owner's input, to reflect the IDOA's most current Wind Farm Construction and Deconstruction Standards and Policies. This AIMA, and any updated AIMA, will be filed with the Livingston County Board by the Facility Owner.

This AIMA is applicable to Construction and Deconstruction activities occurring partially or wholly on privately owned agricultural land.

Conditions of the AIMA

The actions set forth in this AIMA shall be implemented in accordance with the conditions listed below:

- A. All Construction or Deconstruction activities may be subject to County or other local requirements. However, the specifications outlined in this AIMA shall be the minimum standards applied to all Construction or Deconstruction activities.
- B. Except for Section 21(B-F), all actions set forth in this AIMA are subject to modification through negotiation by Landowners and a representative of the Facility Owner, provided such changes are negotiated in advance of any respective Construction or Deconstruction activities.
- C. The Facility Owner may negotiate with Landowners to carry out the mitigative actions that Landowners wish to perform themselves. In such instances, the Facility Owner will offer Landowners the area commercial rate for their machinery and labor costs.

- D. All mitigative actions will extend to associated future Construction, maintenance, repairs, and Deconstruction of the Commercial Wind Energy Facility.
- E. The Facility Owner will exercise Best Efforts to determine all Landowners and Tenants affected by the Construction and Deconstruction of a Facility. The Facility Owner shall keep the Landowners and Tenants informed of the project's status, meetings, and other factors that may have an impact upon their farming operations.
- F. The Facility Owner agrees to include a statement of its adherence to this AIMA in any environmental assessment and/or environmental impact statement that may be prepared in connection with the Project.
- G. Execution of this AIMA shall be made a condition of any Conditional/Special Use Permit. A copy of this AIMA shall be mailed to each Landowner. Within 30 days of execution of this AIMA, the Facility Owner shall provide postage and mailing labels to the IDOA for mailing to all Landowners. If the Facility Owner becomes aware that a Landowner was not included on the list of Landowners to which a copy of this AIMA was mailed, the Facility Owner shall notify the Department and provide postage and a mailing label as soon as possible.

 In the case of a new Underlying Agreement with a Landowner, the Facility Owner shall incorporate this AIMA into such Underlying Agreement.
- H. The Facility Owner will implement all mitigative actions to the extent that they do not conflict with the requirements of any applicable federal, state and local rules and regulations and other permits and approvals that are obtained by the Facility Owner for the Project.
- I. If any mitigative action(s) is held to be unenforceable, no other provision shall be affected by that holding, and the remainder of the mitigative actions shall be interpreted as if they did not contain the unenforceable provision.
- J. No later than 45 days prior to the Construction and/or Deconstruction of a Commercial Wind Energy Facility, the Facility Owner will provide the Landowner(s) with a toll-free number the Landowner can call to alert the Facility Owner should the Landowner(s) have questions or concerns with the work which is being done or has been carried out on his/her property.
- K. If the Facility is sold or transferred, the Facility Owner assuming ownership of the facility shall provide notice of such sale or transfer within ninety (90) days to the County and to Landowners, and the existing Financial Assurance requirements, plus the other terms of this AIMA, shall apply to the new Facility Owner.
- L. After construction, the Facility Owner will provide the IDOA with "as built" drawings (strip maps) showing the location of all tile lines damaged in the construction of the Wind Farm. The drawings and GPS tile lines repair coordinates will be provided on a county-by-county basis for distribution by the IDOA to the respective local Soil and Water Conservation District (SWCD) for the purpose of assisting Landowners with future drainage needs.
- M. In addition, after all construction is complete, all affected Landowners will receive a copy of the tile repairs location map with GPS coordinates identified as the electric cable crosses their property.
- N. The Facility Owner shall comply with all local, state and federal laws and regulations, specifically including the worker protection standards to protect workers from pesticide exposure.

Definitions

Abandonment -	Occurs when Deconstruction has not been completed within 18 months after the wind energy facility reaches the end of its Useful Life.
Aboveground Cable -	Electrical power lines installed above grade to be utilized for conveyance of power from the Wind Turbine(s) to the Wind Facility substation.
Agricultural Impact Mitigation Agreement (AIMA) -	The Agreement between the Commercial Wind Energy Facility Owner and the Illinois Department of Agriculture described herein.
Agricultural Land -	Land used for Cropland, hayland, pasture land, managed woodlands, truck gardens, farmsteads, commercial ag-related facilities, feedlots, livestock confinement systems, land on which farm buildings are located, and land in government set-aside programs used for purposes as set forth above.
Best Efforts -	Diligent, good faith, and commercially reasonable efforts to achieve a given objective or obligation.
Commercial Operation Date -	The calendar date on which the Commercial Wind Energy Facility produces power for commercial sale, not including test power. Within ten (10) calendar days of the Commercial Operation Date, the Commercial Wind Energy Facility Owner shall notify the County and the Department of the Commercial Operation Date in writing.
Commercial Wind Energy Facility (Facility) -	A wind energy conversion facility of equal or greater than 500 kilowatts in total nameplate generating capacity. "Commercial Wind Energy Facility" includes a wind energy conversion facility seeking an extension of a permit to construct granted by a county or municipality before the effective date of this Act. "Commercial Wind Energy Facility" does not include a wind energy conversion facility: (1) that has submitted a complete permit application to a county or municipality and for which the hearing on the completed application has commenced on the date provided in the public hearing notice, which must be before the effective date of this Act; (2) for which a permit to construct has been issued before the effective date of this Act; or (3) that was constructed before the effective date of this Act.
Commercial Wind Energy Facility Owner (Facility Owner) -	A commercial enterprise that owns or operates a Wind Energy Facility of equal to or greater than 500 kilowatts in total nameplate capacity.
County -	The County where the Commercial Wind Energy Facility is located.

Construction -	The installation, preparation for installation and/or repair of a Commercial Wind Energy Facility.
Cropland -	Land used for growing row crops, small grains, or hay; includes land which was formerly used as cropland, but is currently in a government set-aside program and pastureland comprised of Prime Farmland.
Deconstruction -	The removal of a Commercial Wind Energy Facility from the property of a Landowner and the restoration of that property as provided in the Agricultural Impact Mitigation Agreement. The terms "Deconstruction" and "Decommissioning" have the same meaning and, therefore, may be interchanged with each other.
Deconstruction Plan -	<p>A plan prepared by a Professional Engineer, at the Commercial Wind Energy Facility Owner expense, that includes:</p> <ol style="list-style-type: none"> (1) the estimated Deconstruction cost per turbine, in current dollars at the time of filing, for the Commercial Wind Energy Facility, taking into account, among other things: <ol style="list-style-type: none"> i the number of Wind Turbines and related Commercial Wind Energy Facilities involved, ii the original Construction costs of the Commercial Wind Energy Facilities, iii the size and capacity of the Wind Turbines, iv the salvage value of the Commercial Wind Energy Facilities, v the Construction method and techniques for the Wind Turbines and other Commercial Wind Energy Facilities, and (2) a comprehensive detailed description of how the Commercial Wind Energy Facility Owner plans to pay for the Deconstruction of the Commercial Wind Energy Facility.
Department -	The Illinois Department of Agriculture (IDOA).
Financial Assurance -	A reclamation bond or other commercially available financial assurance that is acceptable to the County, with the County as primary beneficiary and the Landowners as secondary beneficiaries.
Landowner -	Any person with an ownership interest in property that is used for agricultural purposes and that is party to an Underlying Agreement.
Prime Farmland -	Agricultural Land comprised of soils that are defined by the USDA Natural Resources Conservation Service (NRCS) as being "prime" soils (generally considered the most productive soils with the least input of nutrients and management).

Professional Engineer -	An engineer licensed to practice engineering in the State of Illinois, and who is determined to be qualified to perform the work described herein by mutual agreement of the County and the Commercial Wind Energy Facility Owner.
Soil and Water Conservation District - (SWCD)	A local unit of government that provides technical and financial assistance to eligible landowners for the conservation of soil and water resources.
Tenant -	Any person lawfully residing or leasing/renting land that is subject to an Underlying Agreement.
Topsoil -	The uppermost layer of the soil that has the darkest color or the highest content of organic matter; more specifically, it is defined as the "A" horizon.
Underlying Agreement -	The written agreement with a Landowner(s) including, but not limited to, an easement, option, lease, or license under the terms of which another person has constructed, constructs, or intends to construct a Commercial Wind Energy Facility on the property of the Landowner.
Underground Cable -	Electrical power lines installed below grade to be utilized for conveyance of power from the Wind Turbine(s) to the Wind Facility substation.
USDA Natural Resources Conservation Service (NRCS) -	NRCS provides America's farmers with financial and technical assistance to voluntarily put conservation on the ground, not only helping the environment but agricultural operations too.
Useful Life -	A Commercial Wind Energy Facility will be presumed to have no remaining Useful Life if: (1) no electricity is generated for a continuous period of twelve (12) months and (2) the Commercial Wind Energy Facility Owner fails, for a period of 6 consecutive months, to pay the Landowner amounts owed in accordance with the Underlying Agreement.
Wind Turbine -	A wind energy conversion unit equal to or greater than 500 kilowatts in total nameplate generating capacity.

Construction and Deconstruction Requirements

1. Support Structures

- A. On Agricultural Land, only single pole support structures will be used for overland transmission not located adjacent to the Commercial Wind Energy Facility substation.
- B. Where the electric line is adjacent and parallel to highway and/or railroad right-of-way, but on privately owned property, the support structures will be placed as close as reasonably practicable and allowable by the applicable County Engineer or other applicable authorities to the highway or railroad right-of-way. The only exceptions may be at jogs or weaves on the highway alignment or along highways or railroads where transmission and distribution lines are already present.
- C. The highest priority will be given to locating the electric line parallel and adjacent to highway and/or railroad right-of-way. When this is not possible, Best Efforts will be expended to place all support poles in such a manner so as to minimize their placement on Cropland (i.e., longer than normal spans will be utilized when traversing Cropland).

2. Aboveground Facilities

Locations for Facilities shall be selected in a manner so as to be as unobtrusive as reasonably possible to ongoing agricultural activities occurring on the land that contains the facilities. The Facility Owner's compliance with applicable local, county, state, and federal statutes, rules, regulations, and ordinances, and its securing any variations or waivers to such statutes, rules, regulations, and ordinances in accordance with applicable law, in selecting such locations shall constitute compliance with this provision.

3. Guy Wires and Anchors

- A. Best Efforts will be made to place guy wires and their anchors out of cropland, pastureland and hayland, placing them instead along existing utilization lines and on land not used for row crops, pasture or hay. Where this is not feasible, Best Efforts will be made to minimize guy wire impact on Cropland.
- B. All guy wires will be shielded with highly visible guards.

4. Underground Cabling Depth

- A. Underground electrical cables will be buried with:
 1. a minimum of 5 feet of top cover where it crosses Cropland.
 2. a minimum of 5 feet of top cover where it crosses pasture land or other Agricultural Land comprised of soils that are classified by the USDA as being prime soils.
 3. a minimum of 3 feet of top cover where it crosses pasture land and other Agricultural Land not comprised of prime soils.
 4. a minimum of 3 feet of top cover where it crosses wooded/brushy land.

- B. Notwithstanding the foregoing, in those areas where (i) rock in its natural formation and/or (ii) a continuous strata of gravel exceeding 200 feet in length are encountered, the minimum top cover will be 30 inches.

5. Topsoil Removal and Replacement

- A. Any excavation shall be performed in a manner to preserve topsoil. Best Efforts will be made to store the topsoil near the excavation site in such a manner that it will not become intermixed with subsoil materials.
- B. Best Efforts will be made to store all disturbed subsoil material near the excavation site and separate from the topsoil.
- C. When backfilling an excavation site, the stockpiled subsoil material will be placed back into the excavation site before replacing the topsoil.
- D. Refer to Item No. 7.A. through 7.D for procedures pertaining to rock removal from the subsoil and topsoil.
- E. Refer to Items No. 8.A. through 8.D. for procedures pertaining to the alleviation of compaction of the topsoil.
- F. Best Efforts will be performed to place the topsoil in a manner so that after settling occurs, the topsoil's original depth and contour (with an allowance for settling) will be restored as close as reasonably practicable. The same shall apply where excavations are made for road, stream, drainage ditch, or other crossings. In no instance will the topsoil materials be used for any other purpose unless agreed to otherwise by the Landowner.
- G. Excess subsoil material resulting from wind turbine foundation excavation shall be removed from Landowner's property, unless otherwise agreed to by Landowner.
- H. Topsoil stripping or separation is not required for the excavation of narrow trenches, those 24 inches wide or less.

6. Repair of Damaged Tile Lines

If underground drainage tile is damaged by Construction or Deconstruction, it will be repaired in a manner that assures the tile line's proper operation at the point of repair. The following shall apply to the tile line repair:

- A. The Facility Owner will work with the Landowner to identify the tile lines traversing the property included within the Underlying Agreement which will be crossed or disturbed by the construction of the Facility. All tile lines identified in this manner will be shown on the Construction and Deconstruction Plans and staked or flagged in the locations where expected crossing or disturbance is anticipated prior to Construction or Deconstruction to alert Construction and Deconstruction crews to the possible need for tile line repairs.
- B. Tile lines that are damaged, cut, or removed shall be staked or flagged with stakes or flags placed in such a manner they will remain visible until the permanent repairs are completed. In addition, the location of damaged drain tile lines will be recorded using Global Positioning Systems (GPS) technology.

- C. If water is flowing through any damaged tile line, the Facility Owner shall utilize Best Efforts to immediately and temporarily repair the tile line until such time that the Facility Owner can make permanent repairs. If the tile lines are dry and water is not flowing, temporary repairs are not required if the permanent repairs can be made by the Facility Owner within 14 days (weather and soil conditions permitting) of the time damage occurred; however, the exposed tile lines will be screened or otherwise protected to prevent the entry of foreign materials or animals into the tile lines.
- D. Where tile lines are severed by an excavation trench, repairs shall be made using the IDOA Drain Tile Repairs, Figures 1 and 2.

If there is any dispute between the Landowner and the Facility Owner on the method of permanent tile line repair, the appropriate Soil and Water Conservation District's opinion shall be considered by the Facility Owner and the Landowner.
- E. To the extent practicable, there will be a minimum of one foot of separation between the tile line and the Underground Cable whether the Underground Cable passes over or under the tile line. If the tile line was damaged as part of the excavation for installation of the Underground Cable, the Underground Cable will be installed with a minimum one foot clearance below or over the tile line to be repaired or otherwise to the extent practicable.
- F. The original tile line alignment and gradient shall be maintained. A laser transit shall be used to ensure the proper gradient is maintained. A laser operated tiling machine shall be used to install or replace tiling segments of 100 linear feet or more.
- G. During Construction stage, all permanent tile line repairs must be made within fourteen (14) days of identification or notification of the damage, weather and soil conditions permitting. At other times, such repairs must be made at a time mutually agreed upon by the Facility Owner and the Landowner.
- H. Following Construction and/or Deconstruction activities, the Facility Owner will utilize best practices to restore the drainage in the area to the condition it was before the commencement of the Construction/Deconstruction activities. If the Facility Owner cannot agree upon a reasonable method to complete this restoration, the Facility Owner may – but is not required to – implement the recommendations of the appropriate County SWCD and such implementation would resolve the dispute.
- I. Following completion of the work, the Facility Owner will be responsible for correcting or paying for the correction of all tile line repairs that fail due to Construction and/or Deconstruction, provided any such failure was identified by Landowner within twenty-four (24) months after Construction or Deconstruction. The Facility Owner will not be responsible for tile line repairs that the Facility Owner pays the Landowner to perform. Facility Owner shall use Best Efforts to utilize a local drain tile repair company.

7. Rock Removal

The following rock removal procedures only pertain to rocks found in the uppermost 42 inches of soil, the common freeze zone in Illinois, which emerged on Landowner property as a result of Construction and/or Deconstruction.

- A. Before replacing any Topsoil, Best Efforts will be taken to remove all rocks greater than 3 inches in any dimension from the surface of exposed subsoil which were brought to the site as a result of Construction and/or Deconstruction.

- B. As topsoil is replaced, all rocks greater than 3 inches in any dimension will be removed from the topsoil which emerged at the site as a result of Construction and/or Deconstruction activities.
- C. If trenching, blasting, or boring operations are required through rocky terrain, precautions will be taken to minimize the potential for oversized rocks to become interspersed with adjacent soil material.
- D. Rocks and soil containing rocks removed from the subsoil areas, topsoil, or from any excavations, will be hauled off the Landowner's premises or disposed of on the Landowner's premises at a location that is mutually acceptable to the Landowner and the Facility Owner.

8. Compaction and Rutting

- A. Unless the Landowner opts to do the restoration work, after the topsoil has been replaced, all areas that were traversed by vehicles and Construction and/or Deconstruction equipment will be ripped at least 18 inches deep, and all pasture and woodland will be ripped at least 12 inches deep to the extent practicable. The existence of tile lines or underground utilities may necessitate less depth. The disturbed area will then be disked. Decompaction shall be conducted according to the guidelines provided in Appendices A and B.
- B. To the extent practicable, all ripping and disking will be done at a time when the soil is dry enough for normal tillage operations to occur on land adjacent to the right-of-way.
- C. The Facility Owner will restore all rutted land to a condition as close as possible to its original condition.
- D. If there is any dispute between the Landowner and the Facility Owner as to what areas need to be ripped/disked or the depth at which compacted areas should be ripped/disked, the appropriate County SWCD's opinion shall be considered by the Facility Owner and the Landowner.

9. Construction During Wet Weather

Except as provided below, construction activities are not allowed on farmland where normal farming operations, such as plowing, disking, planting or harvesting, cannot take place due to excessively wet soils. Wet weather conditions are to be determined on a field by field basis and not for the project as a whole.

- A. Construction activities on prepared surfaces, surfaces where topsoil and subsoil have been removed, heavily compacted in preparation, or otherwise stabilized (e.g. through cement mixing) may occur at the discretion of the Facility Owner in wet weather conditions.
- B. Construction activities on unprepared surfaces will be done only when work will not result in rutting which results in a mixing of subsoil and topsoil. Determination as to the potential of subsoil and topsoil mixing will be in consultation with the underlying Landowner, or, if approved by the Landowner, his/her designated Tenant.

10. Land Leveling

- A. Following the completion of Construction and/or Deconstruction of a Commercial Wind Energy Facility, the Facility Owner will utilize Best Efforts to restore the disturbed area to its original pre-construction elevation and contour should uneven settling occur or surface drainage problems develop as a result of said activity.
- B. If, within twenty-four (24) months after Construction or Deconstruction, uneven settling occurs or surface drainage problems develop as a result of the Construction or Deconstruction of a Facility, the Facility Owner will provide such land leveling services within 45 days of a Landowner's written notice, weather and soil conditions permitting.
- C. If there is any dispute between the Landowner and the Facility Owner as to what areas need additional land leveling beyond that which is done at the time of Construction, the Facility Owner may – but is not required to – implement the recommendations of the appropriate SWCD and such implementation will resolve the dispute.

11. Prevention of Soil Erosion

- A. The Facility Owner will work with Landowners to prevent excessive erosion on land that has been disturbed by Construction or Deconstruction of a Commercial Wind Energy Facility. Consultation with the local SWCD by the Facility Owner will take place to determine the appropriate methods to be implemented to control erosion. This is not a requirement, however, if the land is bare Cropland that the Landowner intends to leave bare until the next crop is planted.
- B. If the Landowner and Facility Owner cannot agree upon a reasonable method to control erosion on the Landowner's right-of-way, the Facility Owner may – but is not required to – implement the recommendations of the appropriate SWCD and such implementation will resolve the dispute.

12. Repair of Damaged Soil Conservation Practices

Consultation with the local SWCD by the Facility Owner will be carried out to determine if there are soil conservation practices (such as terraces, grassed waterways, etc.) that will be damaged by the Construction and/or Deconstruction of a Commercial Wind Energy Facility. Those conservation practices will be restored to their preconstruction condition as close as reasonably practicable in accordance with USDA Natural Resources Conservation Service technical standards. All repair costs shall be borne by the Facility Owner.

13. Damages to Private Property

The Facility Owner will reasonably compensate Landowners for damages caused by the Facility Owner. Damage to Cropland will be reimbursed to the Landowner as prescribed in the applicable Underlying Agreement.

14. Clearing of Trees and Brush

- A. If trees are to be removed for the Construction or Deconstruction of a Commercial Wind Energy Facility, the Facility Owner will consult with the Landowner to determine if there are trees of commercial or other value to the Landowner.

- B. If there are trees of commercial or other value to the Landowner, the Facility Owner will allow the Landowner the right to retain ownership of the trees to be removed with the disposition of the removed trees to be negotiated prior to the commencement of land clearing.
- C. Unless otherwise restricted by federal, state or local regulations, the Facility Owner will follow the Landowner's desires regarding the removal and disposal of trees, brush, and stumps of no value to the Landowner by burning, burial, etc., or complete removal from any affected property.

15. Interference with Irrigation Systems

- A. If the Construction or Deconstruction of a Commercial Wind Energy Facility interrupts an operational (or soon to be operational) spray irrigation system, the Facility Owner will establish with the Landowner an acceptable amount of time the irrigation system may be out of service.
- B. If, as a result of Construction or Deconstruction of a Facility, an irrigation system interruption results in crop damages, the Landowner will be compensated for all such crop damages per the applicable Underlying Agreement.
- C. If it is feasible and mutually acceptable to the Facility Owner and the Landowner, temporary measures will be implemented to allow an irrigation system to continue to operate across land on which a Facility is also being Constructed or Deconstructed.

16. Access Roads

- A. To the extent practicable, access roads will be designed to not impede surface drainage and will be built to minimize soil erosion on or near the access roads.
- B. Access roads may be left intact through mutual agreement of the Landowner and the Facility Owner unless otherwise restricted by federal, state, or local regulations after the Useful Life.
- C. If the access roads are removed, Best Efforts will be expended to assure that the land shall be restored to equivalent condition(s) as existed prior to their construction, or as otherwise agreed to by the Facility Owner and the Landowner. All access roads that are removed shall be ripped to a depth of 18 inches. All ripping will be done consistent with Items 8.A. through 8.D.

17. Weed Control

- A. The Facility Owner will provide for weed control in a manner that prevents the spread of weeds onto agricultural land affected by Construction or Deconstruction. Spraying will be done by a pesticide applicator that is appropriately licensed for doing such work in the State of Illinois.
- B. The Facility Owner will be responsible for reimbursing all reasonable costs incurred by owners of agricultural land affected by Construction or Deconstruction where it has been determined that weeds have spread from land impacted by the Facility. Reimbursement is contingent upon written notice to the Facility Owner and failure to respond within forty-five (45) days after notice is received.

18. Pumping of Water from Open Excavations

- A. In the event it becomes necessary to pump water from open excavations, the Facility Owner will pump the water in a manner that will avoid damaging agricultural land affected by Construction or Deconstruction. Such damages include, but are not limited to: inundation of crops for more than 24 hours, deposition of sediment in ditches and other water courses, and the deposition of subsoil sediment and gravel in fields and pastures.
- B. If it is impossible to avoid water-related damages as described in Item 18.A. above, the Facility Owner will compensate the Landowner for damages to crops as prescribed in the applicable Underlying Agreement.
- C. All pumping of water shall comply with existing drainage laws, local ordinances relating to such activities and any other applicable laws, specifically including the Clean Water Act.

19. Advance Notice of Access to Private Property

- A. The Facility Owner will provide the Landowner or Tenant with a minimum of 48 hours prior notice before accessing his/her property for the purpose of Construction or Deconstruction of a Commercial Wind Energy Facility.
- B. Prior notice shall consist of either: (i) a personal contact, telephone contact or email contact, whereby the Landowner or tenant is informed of the Facility Owner's intent to access the land; or (ii) the Facility Owner mails or hand delivers to the Landowner or tenant's home a dated, written notice of the Facility Owner's intent. Such written or hand delivered notice shall include a toll-free number at which agents of the Facility Owner can be reached. The Landowner or tenant need not acknowledge receipt of the written notice before the Facility Owner can enter the Landowner's property.

20. Indemnification

The Commercial Wind Energy Facility Owner will indemnify all Landowners, their heirs, successors, legal representatives, and assigns from and against all claims, injuries, suits, damages, costs, losses, and reasonable expenses resulting from or arising out of Construction and/or Deconstruction, including damage to such Commercial Wind Energy Facility or any of its appurtenances, except where claims, injuries, suits, damages, costs, losses, and expenses are caused by the negligence or intentional acts, or willful omissions of such Landowners, and/or the Landowners heirs, successors, legal representatives, and assigns. In such circumstances, the Landowners, and the Landowners' heirs, successors, legal representatives, and assigns will indemnify the Facility Owner, its heirs, successors, legal representatives, and assigns from and against said claims, injuries, suits, damages, costs, losses, and reasonable expenses including but not limited to attorneys' fees and costs.

21. Deconstruction of Commercial Wind Energy Facilities and Financial Assurance

- A. Deconstruction of a Facility shall include the removal/disposition of the following equipment/facilities utilized for operation of the Facility and located on Landowner property:
 - 1. Wind Turbine towers and blades;

2. Wind Turbine generators;
 3. Wind Turbine foundations (to depth of 5 feet);
 4. Transformers;
 5. Collection/interconnection substation (components, cable, and steel foundations), provided, however, that electrical collection cables at a depth of 5 feet or greater may be left in place;
 6. Overhead collection system;
 7. Operations/maintenance buildings, spare parts buildings and substation/switching gear buildings unless otherwise agreed to by the Landowner;
 8. Access Road(s) (unless Landowner requests in writing that the access road is to remain);
 9. Operation/maintenance yard/staging area unless otherwise agreed to by the Landowner; and
 10. Debris and litter generated by Deconstruction and Deconstruction crews.
- B. The Facility Owner shall, at its expense, complete Deconstruction of a Commercial Wind Energy Facility within eighteen (18) months after the end of the Useful Life of the Facility.
- C. During the County permit process, the Facility Owner shall file with the County, a Deconstruction Plan. A second Deconstruction Plan shall be filed with the County on or before the end of the tenth year of the Commercial Operation Date.
- D. The Facility Owner shall provide the County with Financial Assurance to cover the estimated costs of Deconstruction of the Commercial Wind Energy Facility. Provision of this Financial Assurance shall be phased in over the first 11 years of the Project's operation as follows:
1. On or before the first anniversary of the Commercial Operation Date, the Facility Owner shall provide the County with Financial Assurance to cover ten (10) percent of the estimated costs of Deconstruction of the Facility as determined in the Deconstruction Plan provided during the county permit process.
 2. On or before the sixth anniversary of the Commercial Operation Date, the Facility Owner shall provide the County with Financial Assurance to cover fifty (50) percent of the estimated costs of Deconstruction of the Facility as determined in the Deconstruction Plan provided during the county permit process.
 3. On or before the eleventh anniversary of the Commercial Operation Date, the Facility Owner shall provide the County with Financial Assurance to cover one hundred (100) percent of the estimated costs of Deconstruction of the Facility as determined in the Deconstruction Plan provided during the tenth year of the Commercial Operation Date.

The Financial Assurance shall not release the surety from liability until the Financial Assurance is replaced. The salvage value of the Facility may only be used to reduce the estimated costs of Deconstruction in the Deconstruction Plan if the County agrees that all interests in the salvage value are subordinate or have been subordinated to that of the County if Abandonment occurs.

- E. The County may – but is not required to – reevaluate the estimated costs of Deconstruction of any Commercial Wind Energy Facility after the tenth anniversary, and every five years thereafter, of the Commercial Operation Date which reevaluation must be performed by an independent third party Professional Engineer licensed in the State of Illinois. The County shall provide the Facility Owner with a copy of any reevaluation report. Based on any reevaluation, the County may require changes in the level of Financial Assurance used to calculate the phased coverages described in Section 21 D. required from the Facility Owner. The Facility Owner shall be responsible for the cost of any reevaluation by a third party Professional Engineer.
- F. Upon Abandonment, the County may take all appropriate actions for Deconstruction, including drawing upon the Financial Assurance. In the event the County declines to take any action for Deconstruction, the Landowners may draw upon the Financial Assurance.

Concurrence of the Parties to this AIMA

The Illinois Department of Agriculture and Panther Grove 2 LLC concur that this AIMA is the complete AIMA governing the mitigation of agricultural impacts that may result from the construction of the wind farm project in Livingston County within the State of Illinois.

The effective date of this AIMA commences on the date of execution.

**STATE OF ILLINOIS
DEPARTMENT OF AGRICULTURE**

**PANTHER GROVE 2, LLC
a DELAWARE limited liability
company**



By Jerry Costello II, Director

By Chris Green, Authorized Signor



By ~~Tess Feagans, General Counsel~~
Clay Nordsiek, Deputy General Counsel

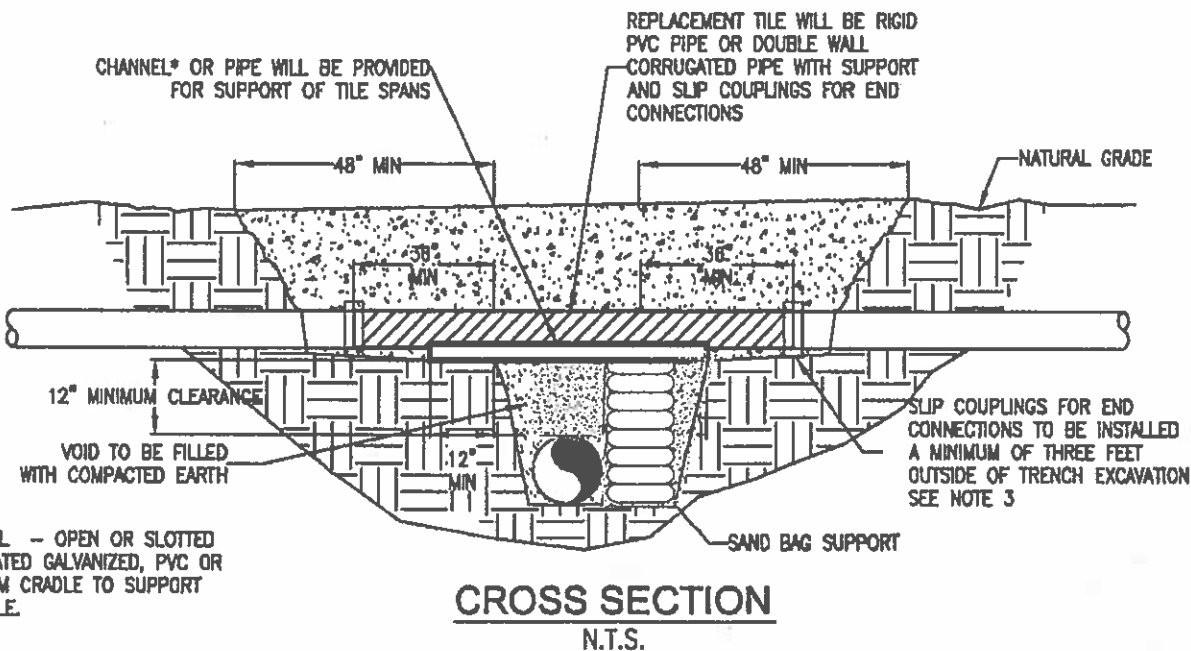
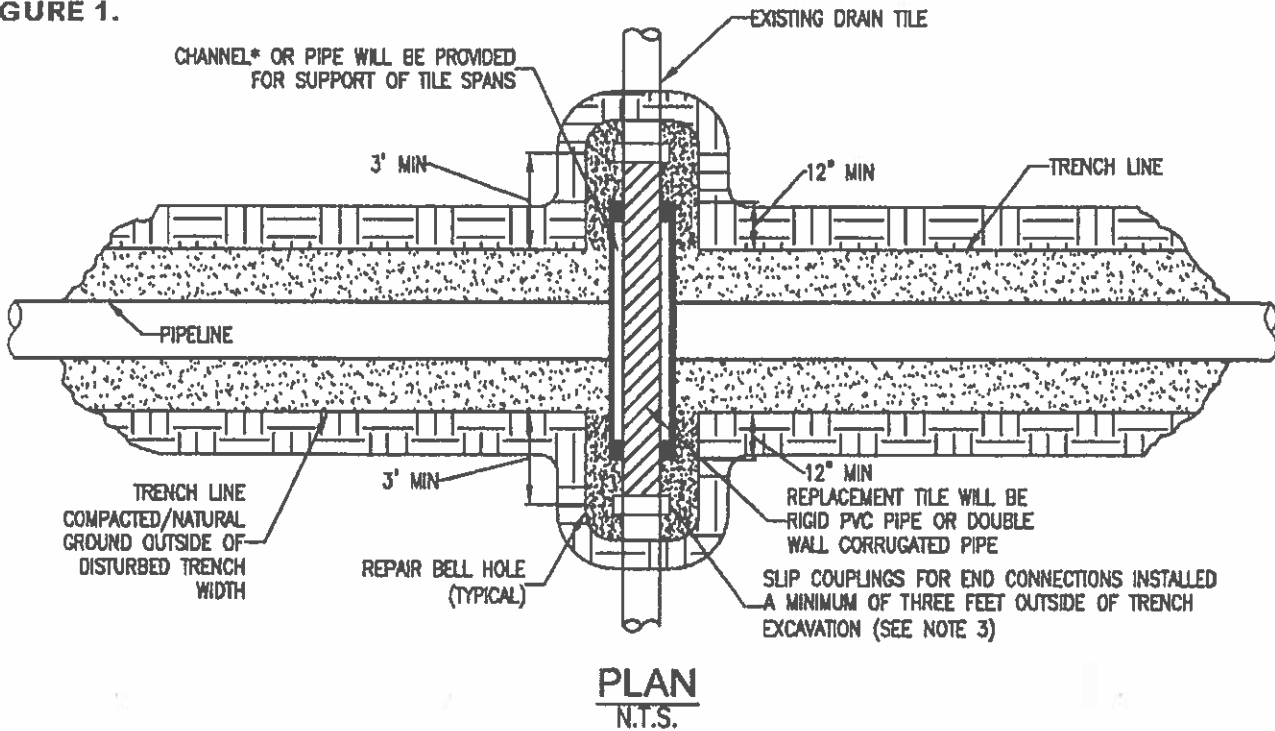
801 E. Sangamon Avenue, 62702
State Fairgrounds, POB 19281
Springfield IL 62794-9281

412 W 15th Street, 15 Floor
New York, NY 10011

12/4, 2023

November 16, 2023

FIGURE 1.



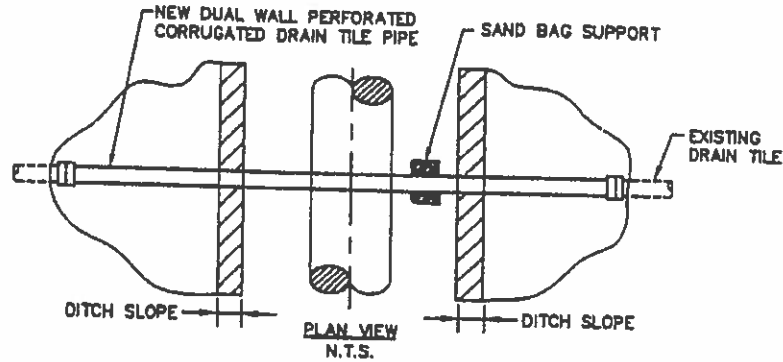
*CHANNEL - OPEN OR SLOTTED CORRUGATED GALVANIZED, PVC OR ALUMINUM CRADLE TO SUPPORT DRAIN TILE.

NOTE:

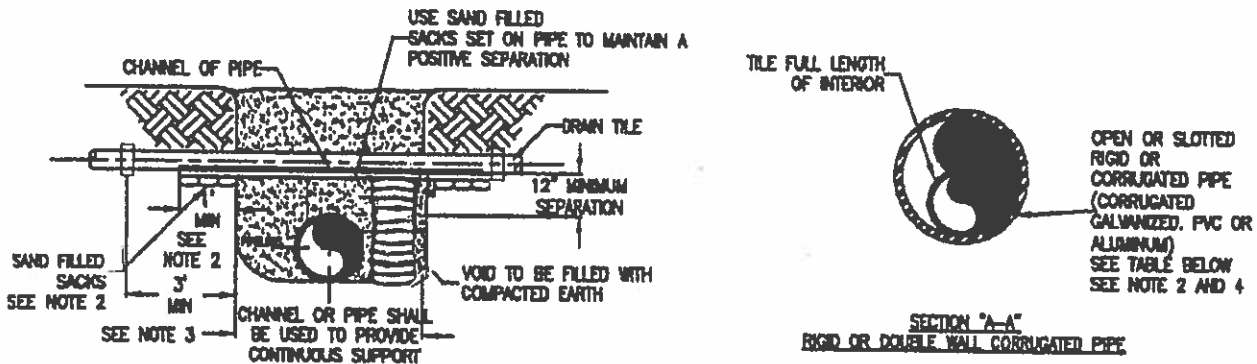
1. IMMEDIATELY REPAIR TILE IF WATER IS FLOWING THROUGH TILE AT TIME OF TRENCHING. IF NO WATER IS FLOWING AND TEMPORARY REPAIR IS DELAYED, OR NOT MADE BY THE END OF THE WORK DAY, A SCREEN OR APPROPRIATE 'NIGHT CAP' SHALL BE PLACED ON OPEN ENDS OF TILE TO PREVENT ENTRAPMENT OF ANIMALS ETC.
2. CHANNEL OR PIPE (OPEN OR SLOTTED) MADE OF CORRUGATED GALVANIZED PIPE, PVC OR ALUMINUM WILL BE USED FOR SUPPORT OF DRAIN TILE SPANS.
3. INDUSTRY STANDARDS SHALL BE FOLLOWED TO ENSURE PROPER SEAL OF REPAIRED DRAIN TILES.

TEMPORARY DRAIN TILE REPAIR

FIGURE 2.



PLAN VIEW



END VIEWS

MINIMUM SUPPORT TABLE			
TILE SIZE	CHANNEL SIZE	PIPE SIZE	
3"	4" @ 5.4 #/ft	4"	STD. WT.
4"-5"	5" @ 6.7 #/ft	8"	STD. WT.
6"-9"	7" @ 9.8 #/ft	9"-10"	STD. WT.
10"	10" @ 15.3 #/ft	12"	STD. WT.

NOTE:

1. TILE REPAIR AND REPLACEMENT SHALL MAINTAIN ORIGINAL ALIGNMENT GRADIENT AND WATER FLOW TO THE GREATEST EXTENT POSSIBLE. IF THE TILE NEEDS TO BE RELOCATED, THE INSTALLATION ANGLE MAY VARY DUE TO SITE SPECIFIC CONDITIONS AND LANDOWNER RECOMMENDATIONS.
2. 1'-0" MINIMUM LENGTH OF CHANNEL OR RIGID PIPE (OPEN OR SLOTTED CORRUGATED GALVANIZED, PVC OR ALUMINUM CRADLE) SHALL BE SUPPORTED BY UNDISTURBED SOIL, OR IF CROSSING IS NOT AT RIGHT ANGLES TO PIPELINE, EQUIVALENT LENGTH PERPENDICULAR TO TRENCH. SHIM WITH SAND BAGS TO UNDISTURBED SOIL FOR SUPPORT AND DRAINAGE GRADIENT MAINTENANCE (TYPICAL BOTH SIDES).
3. DRAIN TILES WILL BE PERMANENTLY CONNECTED TO EXISTING DRAIN TILES A MINIMUM OF THREE FEET OUTSIDE OF EXCAVATED TRENCH LINE USING INDUSTRY STANDARDS TO ENSURE PROPER SEAL OF REPAIRED DRAIN TILES INCLUDING SLIP COUPLINGS.
4. DIAMETER OF RIGID PIPE SHALL BE OF ADEQUATE SIZE TO ALLOW FOR THE INSTALLATION OF THE TILE FOR THE FULL LENGTH OF THE RIGID PIPE.
5. OTHER METHODS OF SUPPORTING DRAIN TILE MAY BE USED IF ALTERNATE PROPOSED IS EQUIVALENT IN STRENGTH TO THE CHANNEL/PIPE SECTIONS SHOWN AND IF APPROVED BY COMPANY REPRESENTATIVES AND LANDOWNER IN ADVANCE. SITE SPECIFIC ALTERNATE SUPPORT SYSTEM TO BE DEVELOPED BY COMPANY REPRESENTATIVES AND FURNISHED TO CONTRACTOR FOR SPANS IN EXCESS OF 20', TILE GREATER THEN 10" DIAMETER, AND FOR "HEADER" SYSTEMS.
6. ALL MATERIAL TO BE FURNISHED BY CONTRACTOR.
7. PRIOR TO REPAIRING TILE, CONTRACTOR SHALL PROBE LATERALLY INTO THE EXISTING TILE TO FULL WIDTH OF THE RIGHTS OF WAY TO DETERMINE IF ADDITIONAL DAMAGE HAS OCCURRED. ALL DAMAGED/DISTURBED TILE SHALL BE REPAIRED AS NEAR AS PRACTICABLE TO ITS ORIGINAL OR BETTER CONDITION.

PERMANENT DRAIN TILE REPAIR

Appendix A.

Guidelines for Conducting Proper and Successful Decompaction

1. Decompaction is required when all three conditions apply.
 - A. the area has been trafficked or traversed by vehicles or construction equipment, and
 - B. the soil penetrometer readings are 300 psi or greater, and
 - C. The soil strength (psi) in the right-of-way area is greater than that of the non-trafficked area.
2. An Environmental and/or Agricultural Inspector (AI), with experience and training in the proper identification of compacted soil and operation methods of deep decompaction tools is required to observe the daily operation of the ripper/subsoiler to ensure the conditions are appropriate for decompaction efforts and that the proper equipment is utilized and that equipment is set-up and operated correctly.
3. To achieve the most effective shatter of the compacted soil the following guidelines have been established:
 - A. Conduct ripping when the soil is dry. Follow the "Soil Plasticity Test Procedures" detailed in Appendix B to determine if soil conditions are adequately dry to conduct decompaction efforts.
 - B. Deep ripping shall be conducted using a ripper or subsoiling tool with a shank length of no less than 18 inches and a shank spacing of approximately the same measurement as the shank length.
 - C. Use a ripper with a knife length of no less than 2 inches more than the desired depth of decompaction.
 - D. To best promote revegetation and restore crop production, a total depth of 30 or more inches of soil (topsoil plus subsoil) is required.
 - E. The minimum depths of decompaction stated above in 3.D. are required where possible. A safe distance from sub-surface structures (tile drains, pipelines, buried utilities, bedrock, etc.) must be maintained at all times. Where such structures exist, a lesser depth of decompaction will be required to prevent damage to equipment and the structures as well as to maintain a safe work environment. The allowable decompaction depth in these instances will be determined on a site by site basis.
 - F. When the knives are in the soil to the desired depth, the tongue of the ripper should be parallel to the surface of the ground.
 - G. Select a tractor that has enough horsepower to pull the ripper at a speed of 1.5 to 2 mph and whose footprint is of equal or lesser width than the ripper. Tracked equipment is preferred and typically required to achieve this criteria.
 - H. The ripper shanks should not create ruts, channels, or mixing of the sub-soil with topsoil. A speed of 1.5 to 2 mph is recommended to minimize the risk of rutting and soil mixing. The ideal operating speed can vary with soil characteristics, tractor and ripping tool used. An excessive travel speed will often increase mixing of soil horizons.
 - I. When the equipment is set up and operated correctly, the ripper should create a wave across the surface of the ground as it lifts and drops the soil.

- J. Make one ripping pass through the compacted area. Using a penetrometer, the AI will measure the PSI between the ripped knife tracks to determine if the single ripping pass was successful. Additional passes should only be used where needed as they may reduce the effectiveness of the ripping by recompacting the soil shattered in the previous pass.
- K. If the first pass does not successfully decompact the soil, additional passes will be needed. Should multiple passes of the ripper be needed to achieve decompaction between the knives tracks of the ripping tool, the subsequent passes should be positioned so the knife tracks from the previous pass are split by the second pass. If three or more passes have been made and sufficient decompaction has not yet been achieved the AI may choose to halt further decompaction efforts in that area until conditions improve or better methods are determined.
- L. Following ripping, all stone and rock three or more inches in size which has been lifted to the surface shall be collected and removed from agricultural areas.
- M. After ripping has been conducted, do not allow unnecessary traffic on the ripped area.
- N. In agricultural lands and croplands that will not be replanted to vegetation by the Company, recommend to landowners to plant a cover crop (cereal rye, clover, alfalfa, tillage radish, turnips, etc.) following decompaction. Reduced compaction created by the ripper pass will not remain over time without subsequent root penetration. Root penetration into the shattered soil is necessary to establish permanent stabilized channels to conduct air and water into the soil profile. Two good sources for landowner cover crop education are <http://www.mccc.msu.edu/CCinfo/cropbycrop.html> and <http://mcccdev.anr.msu.edu/>. For local expertise, consult with your county's Soil and Water Conservation District /USDA Natural Resource Conservation Service (NRCS) office for cover crop selection and compliance with NRCS planting deadlines.

60415

Appendix B.

Soil Plasticity Test Procedures

The Agricultural Inspector will test the consistency of the surface soil to a depth of approximately 4 to 8 inches using the Field Plasticity Test procedure developed from the *Annual Book of ASTM Standards, Plastic Limit of Soils* (ASTM D-4318).

1. Pull a soil plug from the area to be tilled, moved, or trafficked to a depth of 4-8 inches.
2. Roll a portion of the sample between the palms of the hands to form a wire with a diameter of one-eighth inch.
3. The soil consistency is:
 - A. Tillable (able to be worked) if the soil wire breaks into segments not exceeding $\frac{3}{8}$ of an inch in length.
 - B. Plastic (not tillable) if the segments are longer than $\frac{3}{8}$ of an inch before breaking.
4. This Procedure is to be used to aid in determining when soil conditions are dry enough for construction activities to proceed.
5. Once the soil consistency has been determined to be of adequate dryness, the plasticity test is not required again until the next precipitation event.

121614