

APPENDIX AA - TURBINE SPEC SHEETS

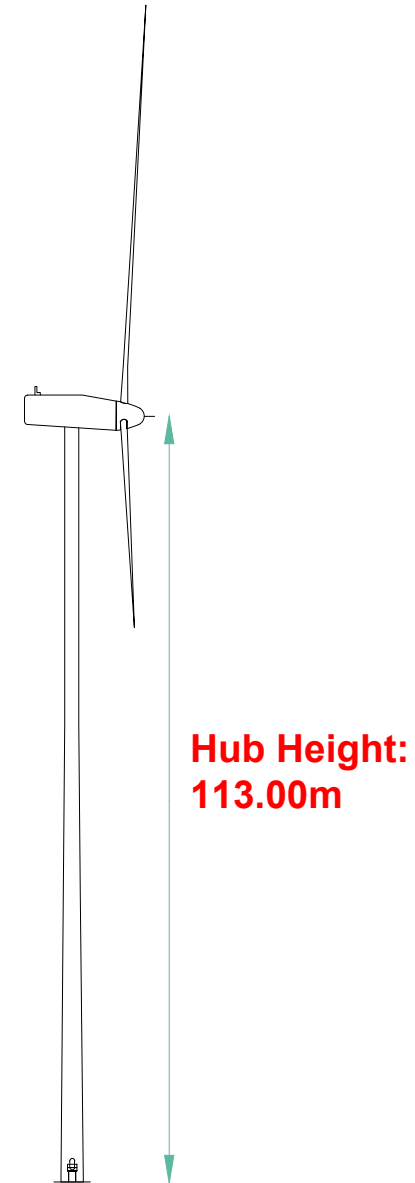
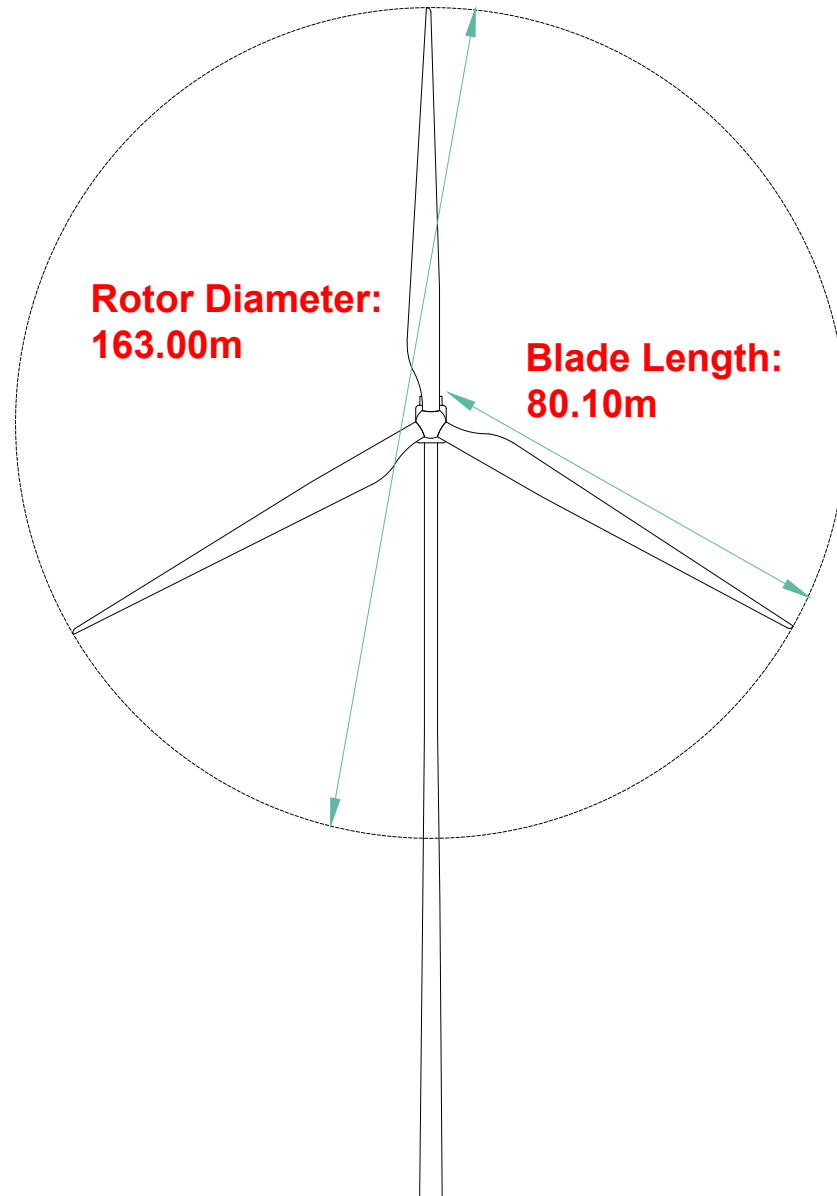


Panther Grove Wind Development WTG Diagrams

Panther Grove 2 LLC

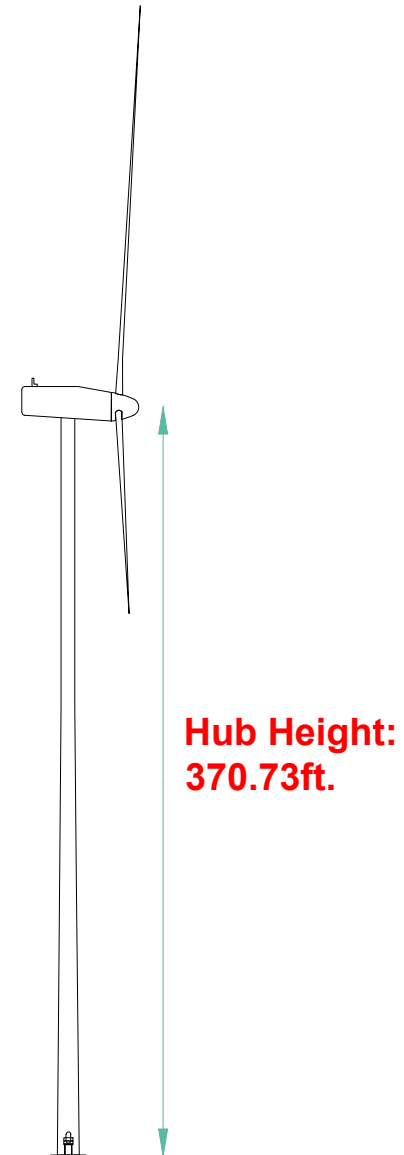
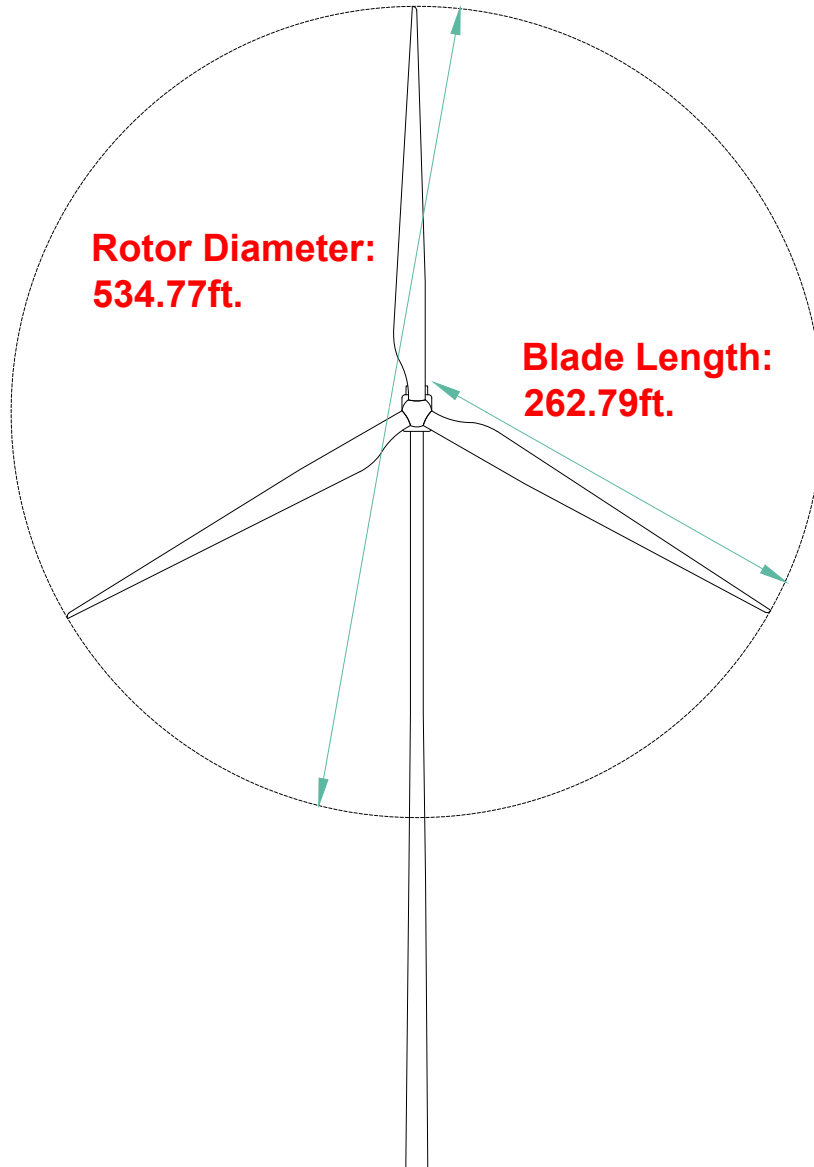
VESTAS V163-4.5MW - 113.00m Hub Height

Tip Height: 194.50m



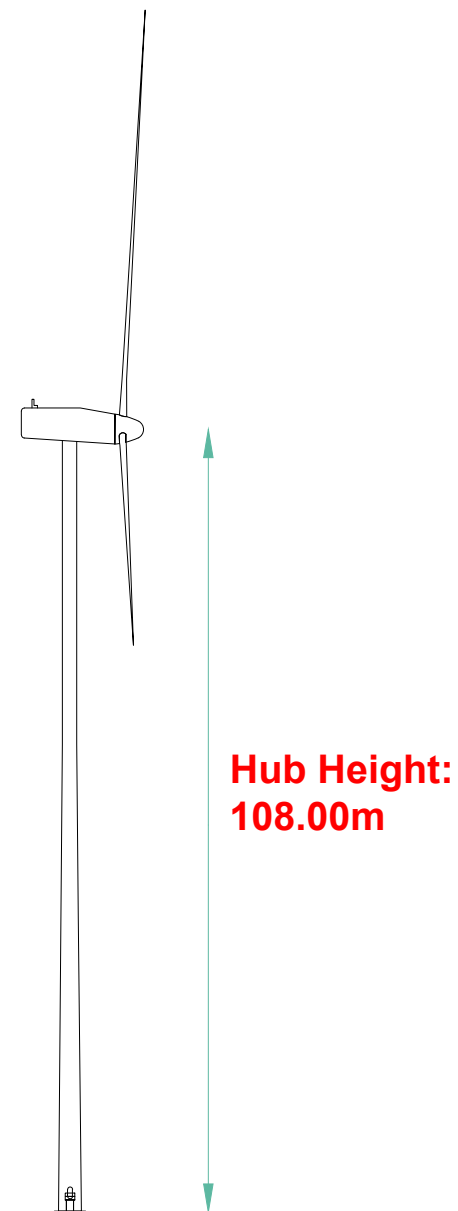
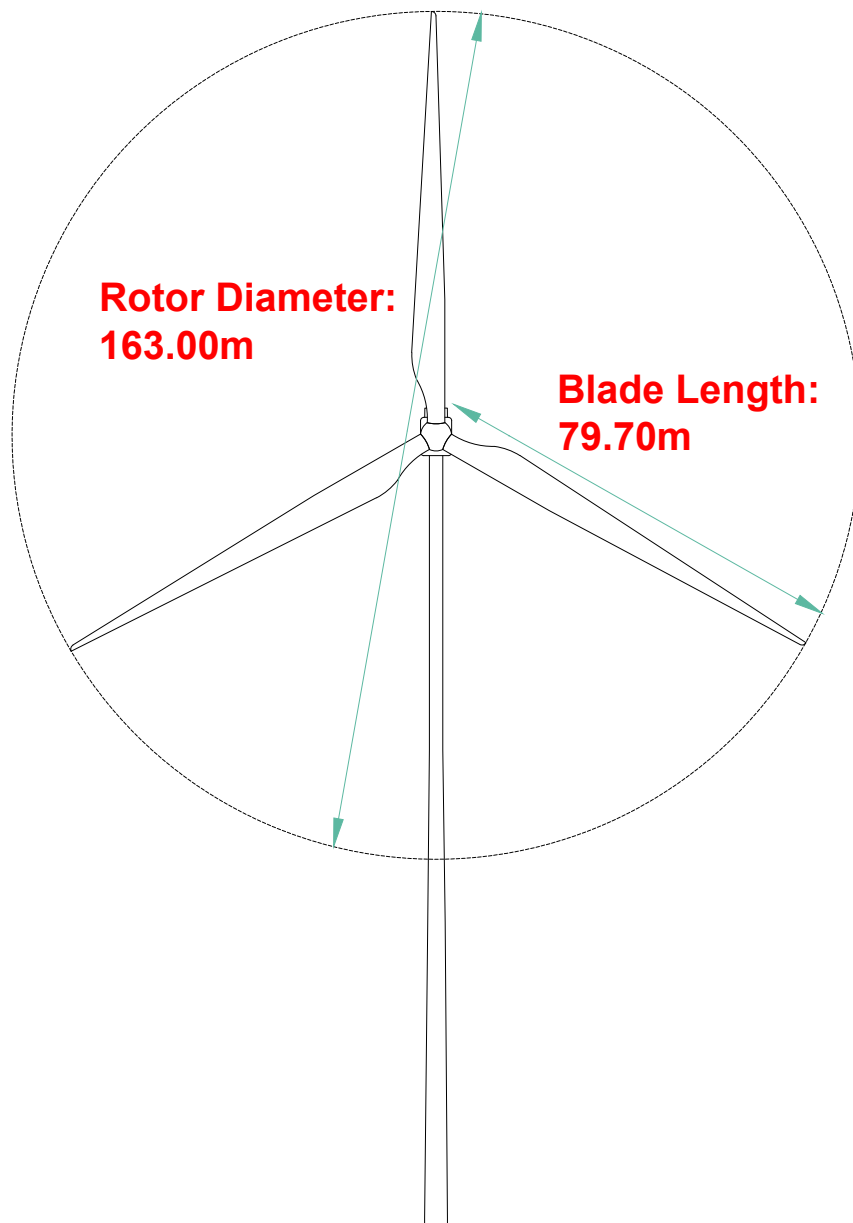
VESTAS V163-4.5MW - 370.73ft Hub Height

Tip Height: 638.12ft.



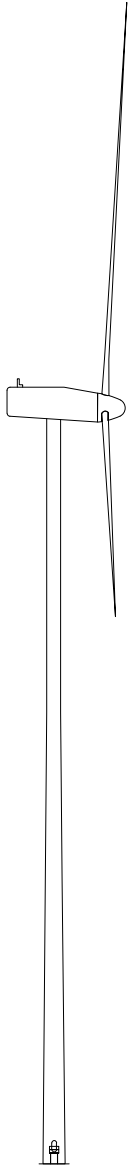
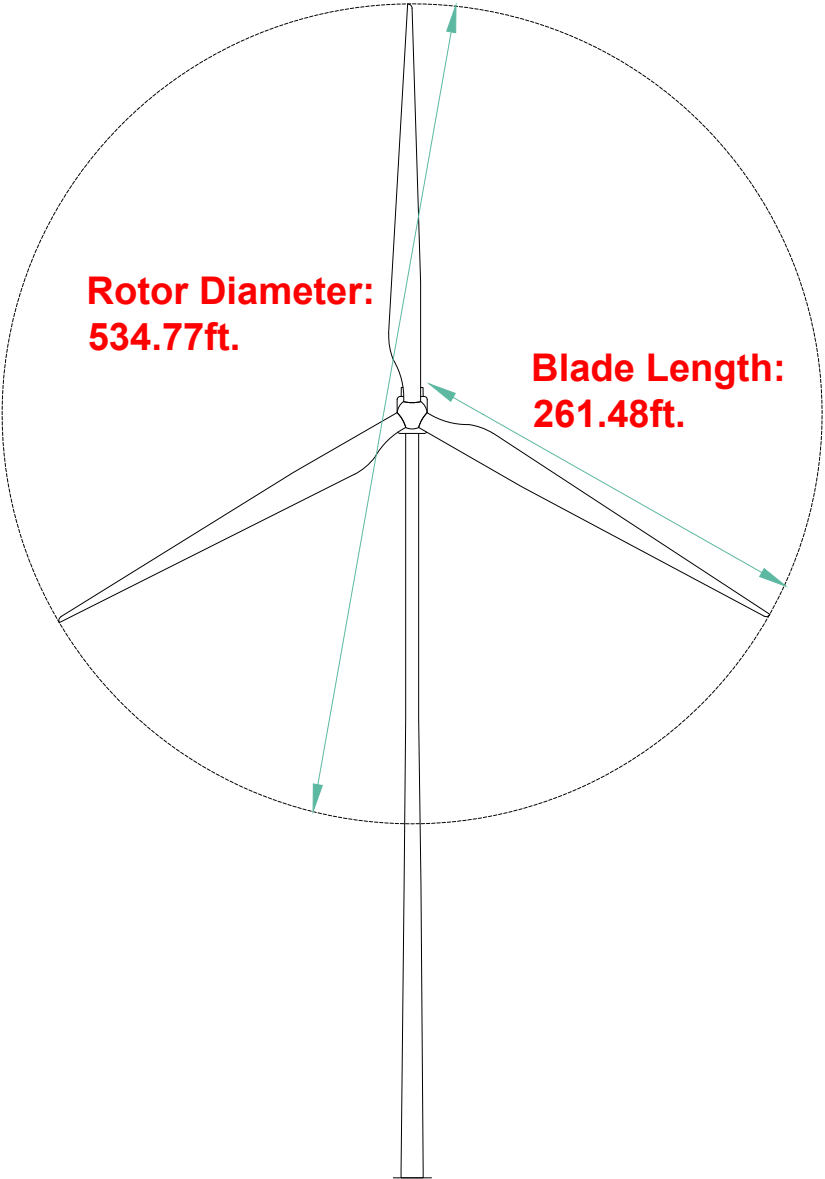
NORDEX 5.7-163-108.00m Hub Height

Tip Height: 189.50m



NORDEX 5.7-163-354.33ft Hub Height

Tip Height: 621.71ft.



Hub Height: 354.33ft.